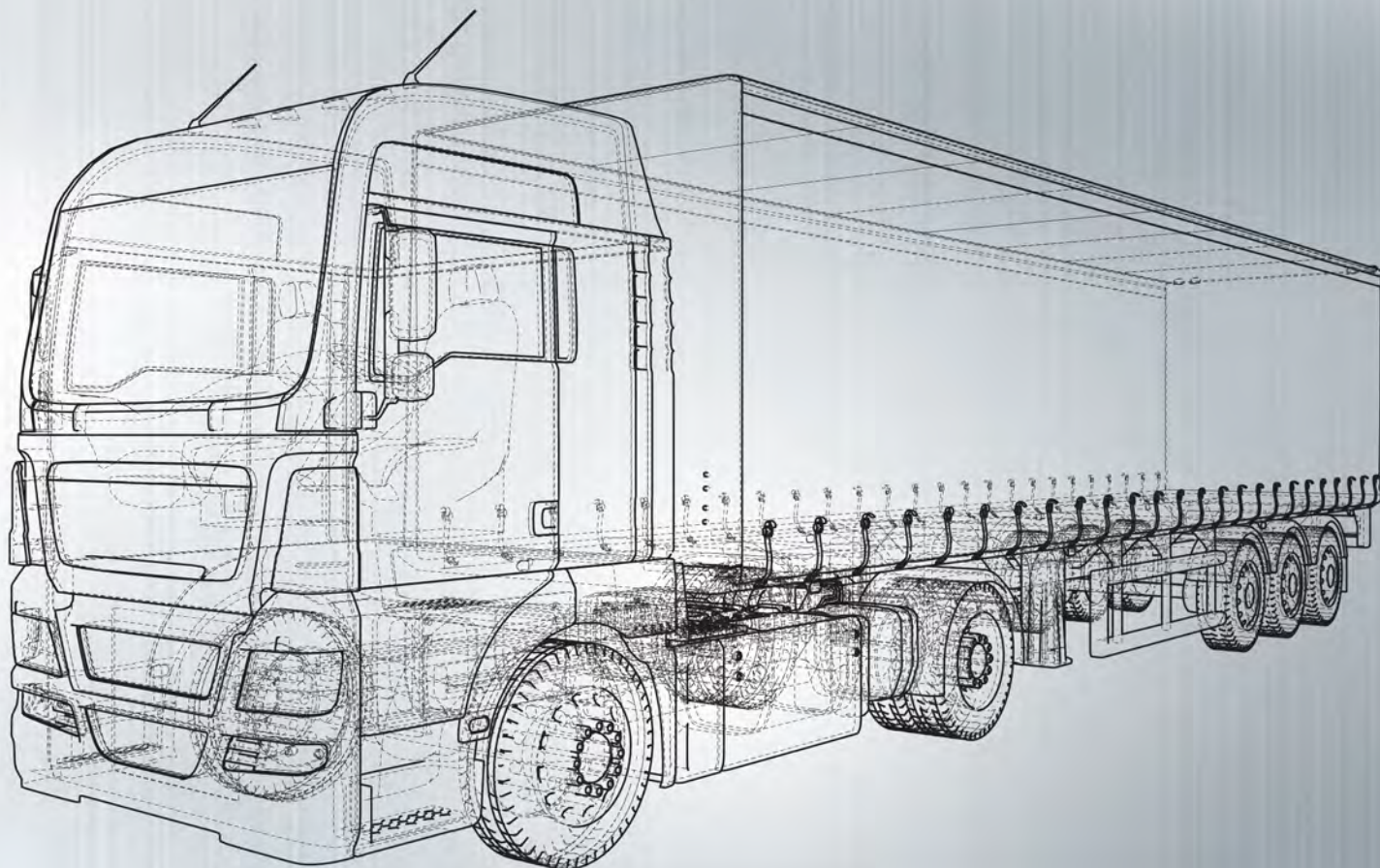




ForusGroup



**Hot-rolled Automotive
Steel Sheets**

www.forusgroup.com



Hot-rolled Automotive Steel Sheets

Forus Group is a globally integrated enterprise with the headquarter in HONG KONG (Hong Kong Forus LTD,2010) and branches in China (Shanghai Forus Metal Materials LTD.), Australia (Forus Australia PTY LTD) and Russia.We are committed to supplying premium steel product, metal packaging production systems and steel processing equipment worldwide. Strategic partnership with World leading manufacturers and service providers shapes our competitive advantage in supplying best quality product and service to our customers. Flexibility, innovation, collaboration and communication underpin Forus's principal imperative, which is **Providing One-stop, Customized and Comprehensive service for our product to our customers.**

◀ FORUS GROUP provides Prepurchase service

- We provide detailed instruction data and standards of the manufacture's steel products.
- We service our clients with instructions on correct selection of material.
- We provide earlier involvements on automotive steel Preliminary material selection in model design, provide CAE emulation analysis, verifying accuracy of the design of and material selection for parts and presenting optimal solution.

◀ FORUS GROUP provides On-purchase service

- We provide order tracking information to ensure punctual goods delivery.
- We perform sample inspection and make sure that the production is conducted in compliance with the contract.

◀ FORUS GROUP provides After sales service

- We provide clients with online query for certificated quality level.
- We provide clients with advisories for various problems met during the application.
- In case of claims, we handle them quickly and effectively, including site tracking and adjustment tests, provision of emergent substitute proposal against claimed material to meet clients production demands for parts and presenting optimal solution.

Forus Group provides products and services that benefit society and we grow in partnership with our customers and partners. Please contact us to get more information.

Metals are still the main materials used in the automotive industry. Most high volume production cars are made from sheet metal. This is due to Metals being able to undergo plastic deformation. This means the metals can be made into most shapes. On average, 900kg of steel is used per vehicle.

◀ The steel in a vehicle is distributed as follows, based on total vehicle curb mass:

- **40%** is used in the body structure, panels, doors and trunk closures for high-strength and energy absorption in case of a crash.
- **23%** is in the driven train, consisting of cast iron for the engine block and machinable carbon steel for the wear resistant gears.
- **12%** is in the suspension, using rolled high-strength steel strip.
- The remainder is found in the wheels, tyres, fuel tank, steering and breaking systems.

◀ Benefits of using steel in Automotive

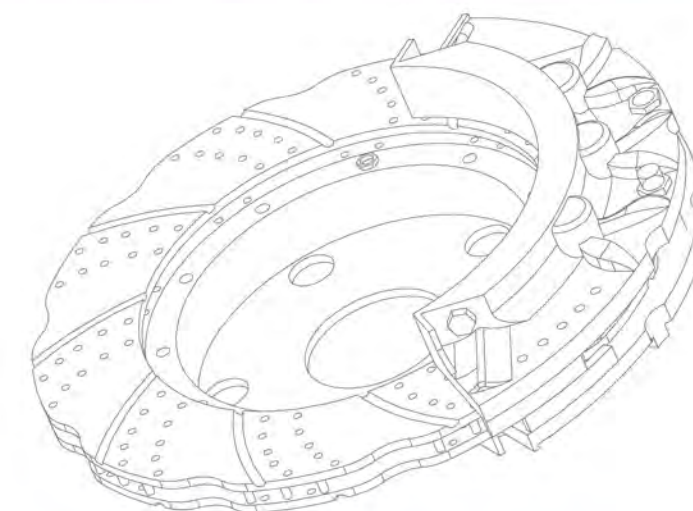
- Steel contains recycled steel and is endlessly recyclable.
- Steel has lower CO2 life cycle emissions than any other automotive material.
- Steel Enables engineering of crash-resistant structures.
- High-strength steels enable light but stronger vehicles.
- Steel is lightweight therefore fuel efficient.
- Steel is durable and remanufacture-friendly.
- Steel enables creative, flexible designs.
- Steel enables affordable repairs.
- Steel is cost efficient compared to other materials.

With the increasing awareness for safety, energy saving and environment protection, there is an urge for high strength steel for automotive. Hot-rolled high strength steel sheets, which are widely used in wheel, beam, carriage, axle, drive shaft, chassis, suspension and other important parts, can provide great potential for weight reduction.

◀ Forus Group provide hot-rolled high strength steel for automotive which can satisfy different performance requirements, such as:

- **550~700MPa** low alloy high strength steels in yield strength with good formability and weldability which can be used in beam, carriage, drive shaft and other structural parts of automobiles.
- **450~650MPa** wheel steels in tensile strength
- **600MPa** grade steel for axle housing in tensile strength.
- Advanced high strength steel (440~780MPa high hole expansion steels, 580 and 780MPa dual-phase steels, 580 and 780MPa TRIP steels)with good formability and high anti-fatigue property, which is applicable to parts with complex shapes.
- Heat treated ultra high strength steel and wear resistant steel.

Hot-rolled high strength steels for automobiles are widely used in car and truck factories, auto parts factories and car tuning shops. High strength steel sheets make it possible to reduce auto body weight, which thereby contributes to improved manufacturing cost.



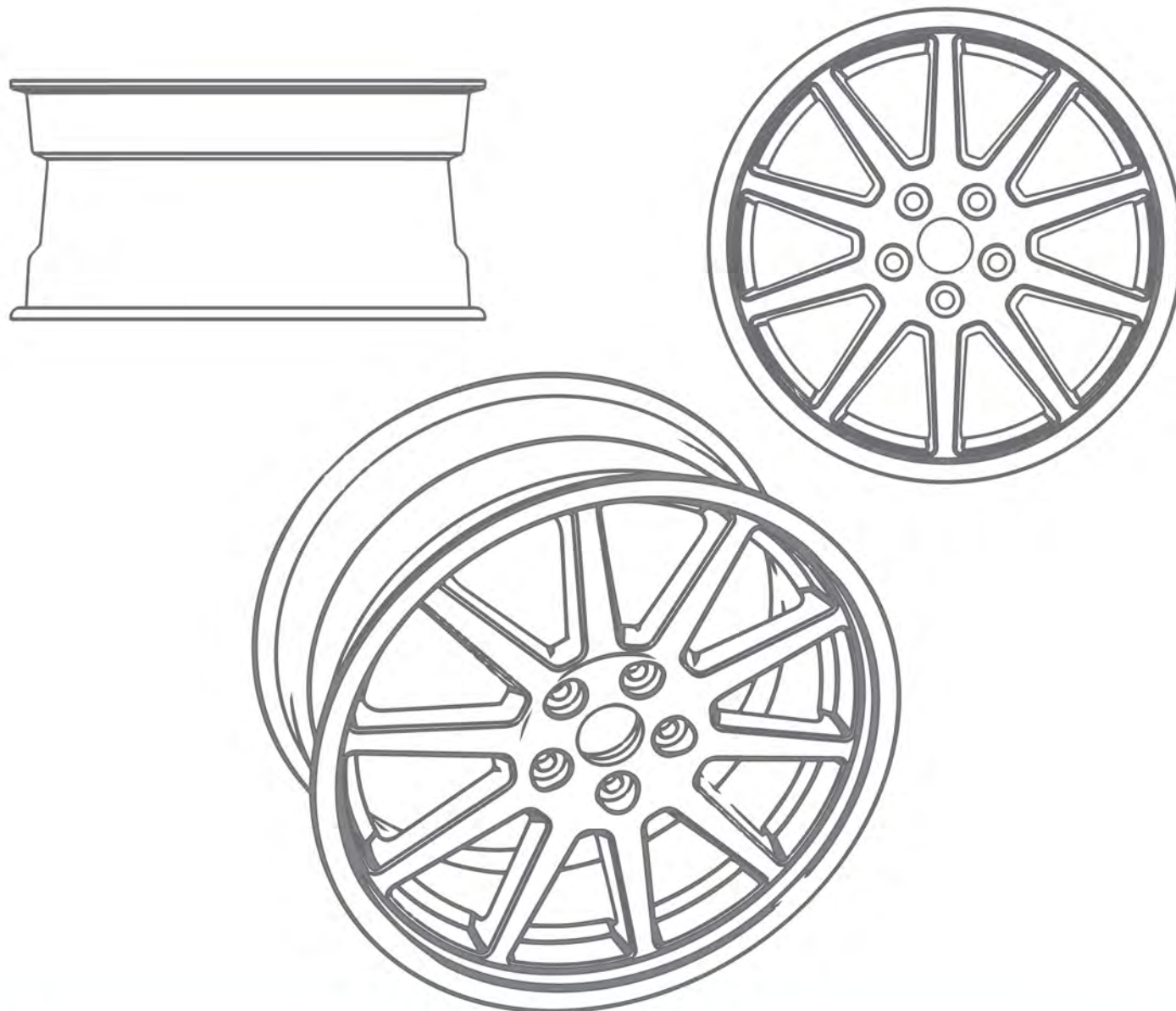


Special Steel for Automobile

- Hot rolled special steel includes carbon structural steel, alloy structural steel, carbon tool steel, spring steel etc. Hot-rolled special steel have a wide range of applications, they are used in saw blades, automobile parts, engineering machinery, oilers, chemical energy and other fields. At presently, we have formed a full range of hot-rolled special steel, and greatly meet the needs of our customers.

Hot forming Steel for Automobile

- Hot forming Steel for Automobile can reach the strength above 1200MPa by utilizing metal elongation property under high temperature (Austenite) and rapid cooling (quenching) in die. Widely used in B pillar, side intrusion beam and bumper, etc.





www.forusgroup.com
Email: info@forusgroup.com

FORUS HONG KONG (HQ)

Address: Office 910, 9F, 610 Nathan Road, Kowloon, Hong Kong, China.

Tel: +852-38927477

FORUS SHANGHAI

Address: Office 1404, 1101 Pudong South Road, Pudong New District, Shanghai, China.

Tel: +86 (021) 68775187

FORUS AUSTRALIA


Address: 618/5 Alma road, Macquarie park, NSW, Australia. 2113.

Tel: +61452619660

FORUS RUSSIA

Address: Office 311, Building 2, 2 Prospect Marshala Zhukova, Moscow, Russia.

Tel: +7 (495) 5392768



Forus Group provides products and services that benefit society and we grow in partnership with our customers and partners.

Please contact us to get more information.